

Date 27.04.09  
Offer number 1.208  
Reference  
Software Version TKEY 7.30 06/06

To

**MODEL P30-50 S S / \_ S (S1:76,4mm) (S2:76,4mm)**

**BPHE CONDENSER**

**BRAZED PLATE HEAT EXCHANGERS**

The basic concept for a BPHE is stainless steel (AISI 316) plates, permanently brazed together with pure copper (99,9% Cu). The plates are stacked together and form flow chambers for two or more medias. Every second plate is alternatively rotated 180° and creates flow chambers for the medias. Thermokey has developed a new type of BPHE for evaporator applications, as well as for high value systems.

The new type BPHE is smaller, cheaper and more secure than other heat exchangers.

**QUALITY**

The new type Thermokey's BPHE are PED-CE (Dir. 97/23 CE) certified and 100% of the BPHE are pressure and vacuum tested.

**Primary connection circuit**

Soldered

**Primary conn. circuit dimensions**

IN/OUT 76,4mm

**Secondary connection circuit**

Soldered

**Secondary conn. circuit dimensions**

IN/OUT 76,4mm

**Secondary connection circuit Bottom Plate**

None

**Feet and lifting lugs**

Soldered

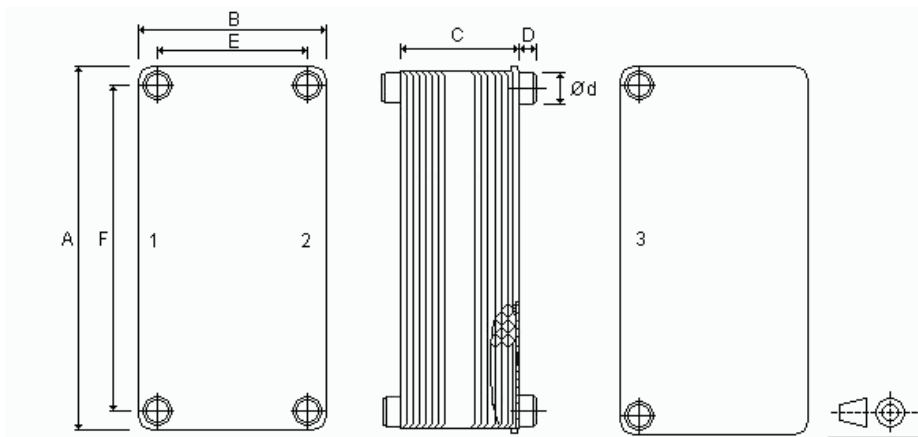
---

Date **27.04.09**  
 Offer number **1.208**  
 Reference  
 Software Version **TKEY 7.30 06/06**

To

**MODEL P30-50 S S / \_ S (S1:76,4mm) (S2:76,4mm)**

TECHNICAL DATA			
<b>Capacity [kW]</b>	Effective	174,0	Reserve [%] 1,10
	Required	172,0	
<b>REFRIGERANT SIDE</b>			
Refrigerant		R134a	
Evaporating temperature [°C]		4,0	Superheating temp. difference 5,0
Condensing temperature [°C]		58,0	Subcooling temp. difference [K] 5,0
<b>FLUID SIDE</b>			
Fluid		WASSER	
Entering temperature [°C]		45,0	Leaving temperature [°C] 55,0
Flow rate [m³/h]		15,28	Pressure drops [kPa] 4
Fouling factor		0,000043	



DIMENSIONS [mm]		
A	782	O
B	265	R
C	159	S
D	27	T
E	220	U
F	655	X

CONNECTIONS	
STD a saldare	76,2
STD EV-system	35,2
STD filettate	2 " 1/2

<b>VOLUME 1</b>
12,72
<b>VOLUME 2</b>
13,25
<b>WHEIGHT</b>
59